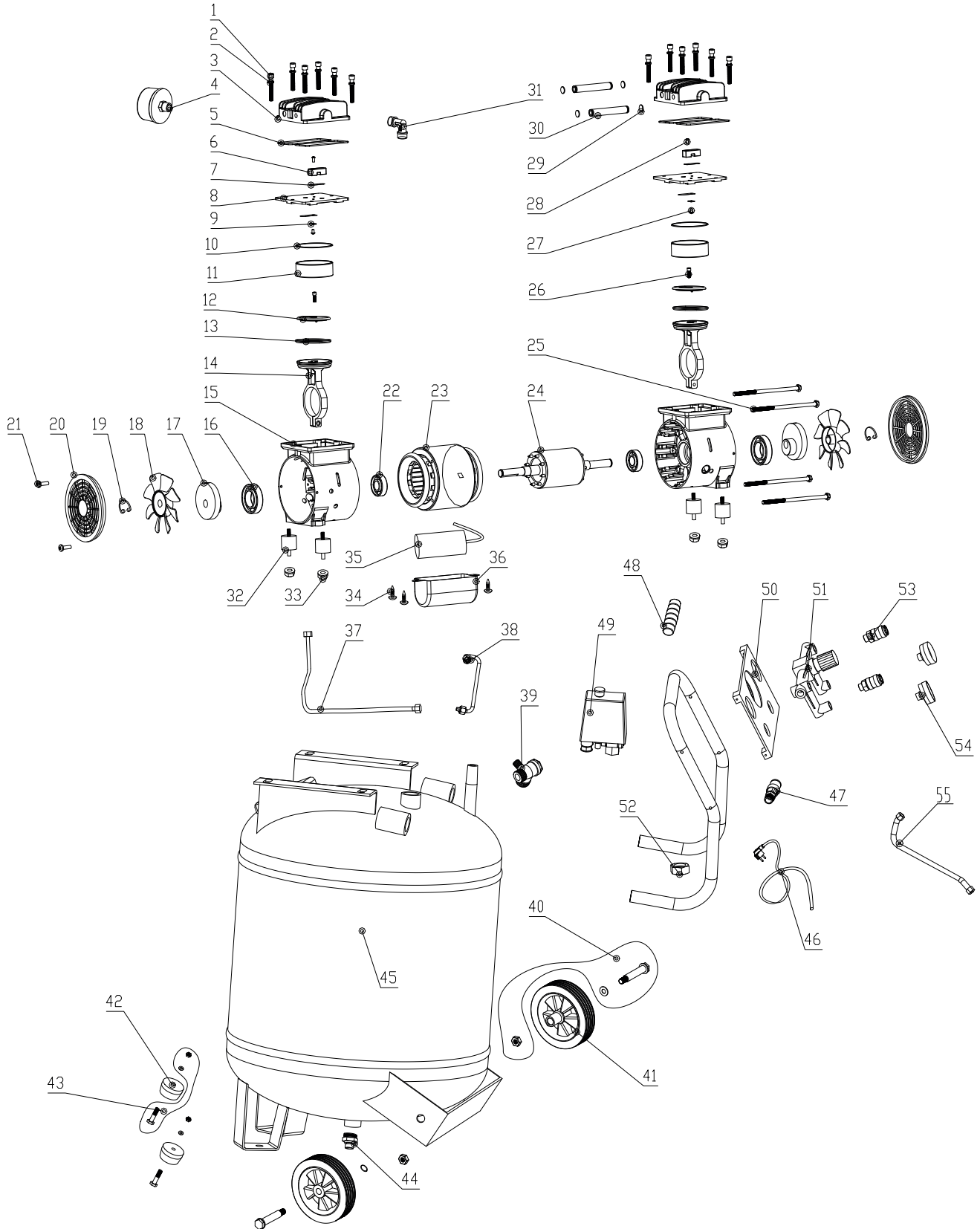




LMVO 40-250 TECHNICAL DRAWING

REF. NO.: 36854





LMVO 40-250 SPARE PARTS LIST

REF. NO.: 36854

no.	name	qty
1	bolt m5x25	12
2	plain cushion \varnothing 5	12
3	cylinder head	2
4	air filter	1
5	seal packing collar	2
6	air admission clamp	2
7	valve piece	4
8	valve plate subassembly	2
9	exhaust clamp	2
10	o circle \varnothing 68.7x \varnothing 2.5	2
11	cylinder \varnothing 64	2
12	piston curl clamp	2
13	piston ring	2
14	connecting rod	2
15	crankcase	2
16	bearing 6203z	2
17	crank	2
18	fan	2
19	elastic ring \varnothing 14	2
20	gate lid	2
21	bolt st3.3x8	4
22	bearing 6006z	2
23	stator subassembly	1
24	rotor	1
25	bolt m5x155	4
26	bolt m6x16	2
27	bolt m4x6	2
28	bolt m4x8	2

no.	name	qty
29	o circle \varnothing 13.8x \varnothing 1.9	4
30	connecting pipe	2
31	connects the bend	1
32	crash pad	4
33	nut m5	4
34	m4x8	8
35	capacitance	1
36	electric capacity box	1
37	discharge pipe	1
38	release pipe	1
39	checking valve	1
40	the wheel axle stacks	2
41	oak rubber tire	2
42	footpads	2
43	fixed screw set	2
44	wash water valve	1
45	tank	1
46	power cord	1
47	safety valve	1
48	handle sets	1
49	pressure switch	1
50	windows control panel	1
51	regulate valve	1
52	coupler	1
53	nut rp1/4	2
54	pressure gauge 50	2
55	rubber hose	1